



KONICA MINOLTA

# AccurioPress 6136/6136P/6120

- ✓ B/W SRA3+ digital press
- ✓ Up to 7,940 A4 pages per hour

In the fast-growing, digital high-volume print market, in-house printers and graphic communications providers have to focus on building up their business by producing a wider range of high-volume jobs more efficiently. For that, they need the best performance available in the market: The AccurioPress 6136 series comprises three models, the fastest of which provides a maximum speed of 7,940 A4 pages per hour. Latest technologies guarantee maximum uptime and outstanding black and white print quality. The superior product outline impresses with a comprehensive range of inline finishing options.



**AccurioPress**  
6136/6136P/6120

**B/W PRODUCTION PRINTING SYSTEM**

# YOUR ADVANTAGES WITH AccurioPress 6136/6136P/6120

## DURABLE PERFORMANCE

### AccurioPress 6136/6136P

- Up to 136 A4 pages per minute
- Up to 74 SRA3 pages per minute
- Up to 7,940 A4 pages per hour
- Up to 4,274 SRA3 pages per hour

### AccurioPress 6120

- Up to 120 A4 pages per minute
- Up to 66 SRA3 pages per minute
- Up to 7,034 A4 pages per hour
- Up to 3,846 SRA3 pages per hour

## HIGHEST RELIABILITY

- Long-life platform, long-lasting parts and consumables
- Optimum registration results via ICCU
- Belt transfer system
- For prints with maximum efficiency
- For lucrative short-run printing

## READY-MADE PRINT PRODUCTS

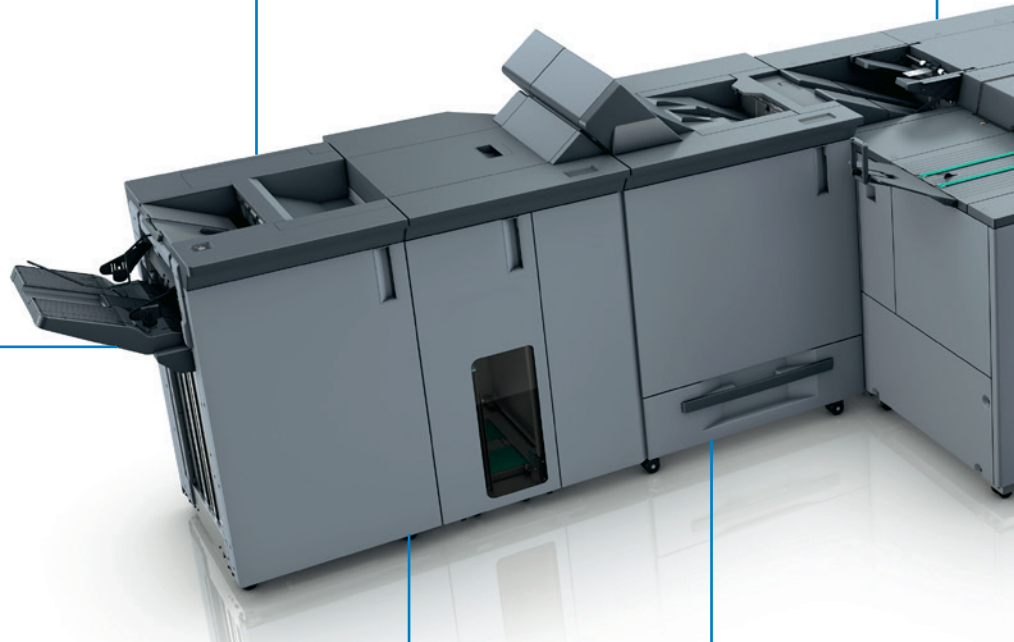
- 50-sheet booklet making with front trimming and optional creasing, slitting and spine corner forming
- 102-sheet auto ring binding
- Perfect binding for books of up to 30 mm
- 100-sheet stapling with cutting mechanism
- For highest automation and enormous productivity
- For more profit in the printroom

## GEARED-UP FINISHING

- Multi (GBC) punching and 2- & 4-hole punching
- 6 different types of folding
- Interface for 3rd parties
- Large stacking
- Minimised human interaction
- For optimised budgets

## 3RD PARTY FINISHING:

- Watkiss PowerSquare™ 224 KR for square back booklet binding
- Plockmatic SD-500/SD-350 booklet maker with square fold
- GBC Punch G2 for heavy duty punching
- For higher flexibility
- For more sophisticated print products





**HIGH-END PRINT CONTROL**

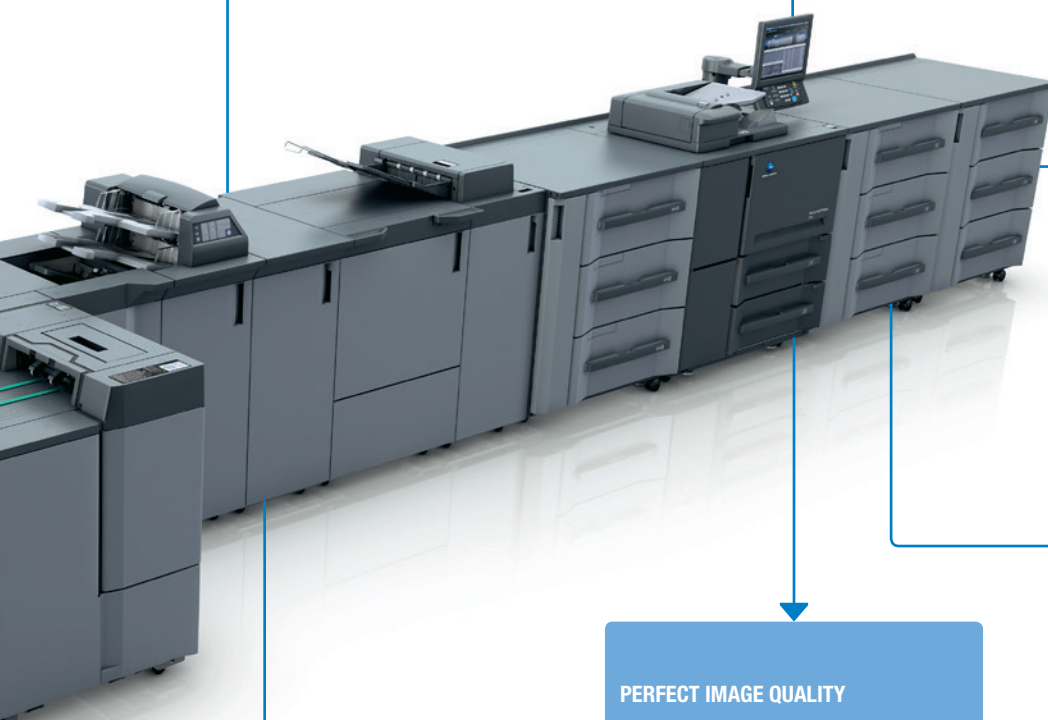
- Proprietary Konica Minolta controller
- For intuitive operation
- Saves time and money

**EASE OF USE**

- Simple paper catalogue settings
- Easy-to-follow on-screen instructions
- Operator Replaceable Unit Management (ORUM)
- For maximum ease of operation
- Frees operators for more important jobs

**SOPHISTICATED MEDIA HANDLING**

- Air-suction or air-assist feeding technology
- Up to 18,000-sheet paper input capacity or 14,000-sheet paper input and 5,000-sheet post insertion
- Up to 11 paper input trays
- For enhanced overall productivity
- For extreme cost savings



**COMPREHENSIVE MEDIA PROCESSING**

- Up to 350 gsm paper weight in simplex & 300 gsm duplex printing
- Skew Detection System to prevent paper skew
- Professional feeding of coated media and envelopes
- Mechanical decurling as standard
- Optional inter-cooler curl eliminator
- For highly flexible print products
- Stands out from the competition

**ENVIRONMENTAL AWARENESS**

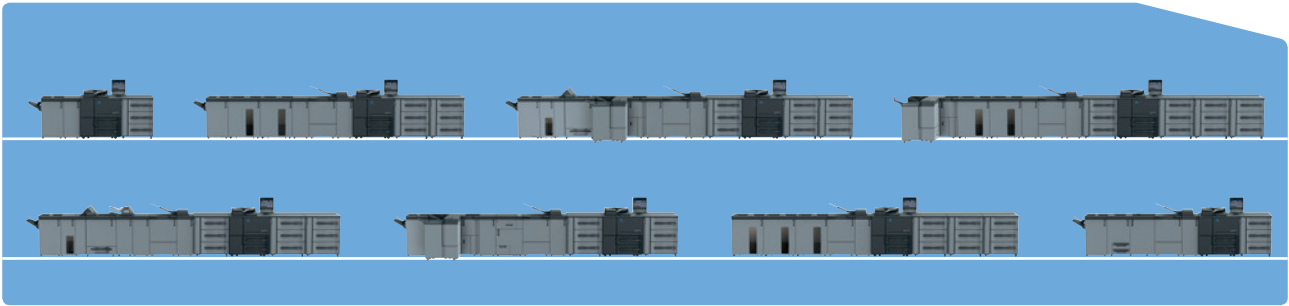
- Green procurement policy
- ISO 14001-certified
- For reduced environmental impact
- Carbon Neutral Printing via “Enabling Carbon Neutrality Program” available

**PERFECT IMAGE QUALITY**

- 1,200 x 1,200 dpi resolution
- Tone Curve Utility
- Simitri® HD toner technology
- Image density control technology
- For new print applications
- For growing your business

**Simitri HD**  
High Definition Polymerised Toner

## Recommended configurations



## Technical specifications

### SYSTEM SPECIFICATIONS

<b>Resolution</b>	1,200 x 1,200 dpi
<b>Paper weight</b>	40–350 gsm
<b>Duplex unit</b>	Non-stack type; 40–300 gsm
<b>Paper sizes</b>	Min.: 95 x 139 mm Max.: 324 x 483 mm (with PF-710)
<b>Maximum image area</b>	314 x 483 mm (with PF-710)
<b>Paper input capacity</b>	Standard: 3,000 sheets Max.: 18,000 sheets
<b>Paper output capacity</b>	Max.: 15,000 sheets (plus sub trays)
<b>Main unit dimensions (W x D x H)</b>	990 x 910 x 1,454 mm
<b>Main unit weight</b>	396 kg

### PRODUCTIVITY

#### AccurioPress 6136/P

<b>A4 - max. per minute</b>	136 ppm
<b>A3 - max. per minute</b>	78 ppm
<b>SRA3 - max. per minute</b>	74 ppm
<b>A4 - max. per hour</b>	7,940 pph
<b>A3 - max. per hour</b>	4,526 pph
<b>SRA3 - max. per hour</b>	4,274 pph

#### AccurioPress 6120

<b>A4 - max. per minute</b>	120 ppm
<b>A3 - max. per minute</b>	70 ppm
<b>SRA3 - max. per minute</b>	66 ppm
<b>A4 - max. per hour</b>	7,034 pph
<b>A3 - max. per hour</b>	4,072 pph
<b>SRA3 - max. per hour</b>	3,846 pph

### CONTROLLER

Embedded Konica Minolta Controller

### SCANNER SPECIFICATIONS\*

<b>Scan speed A4</b>	Up to 240 ppm
<b>Scan resolution</b>	600 x 600 dpi
<b>Scan modes</b>	TWAIN scan; Scan-to-HDD; Scan-to-FTP; Scan-to-SMB; Scan-to-eMail
<b>Scan formats</b>	TIFF; PDF; Encrypted PDF; XPS; CompactPDF; JPEG

### COPIER SPECIFICATIONS\*

<b>Gradations</b>	256 gradations
<b>FCOT</b>	Less than 2.6 sec. (A4 LEF)
<b>Magnification</b>	25–400%, in 0,1% steps
<b>Multiple copies</b>	1–9,999

### ACCESSORIES

<b>Integrated Color Care unit</b>	IQ-501
<b>Air assist paper feed unit</b>	PF-709
<b>Pre-printed paper feed kit for PF-706</b>	PP-701
<b>Air suction paper feed unit</b>	PF-710
<b>Heating unit for PF-710</b>	HT-506
<b>Post Insertion unit</b>	PI-PFU
<b>Relay unit</b>	RU-518
<b>Humidification unit</b>	HM-103
<b>Multi (GBC) punching unit</b>	GP-501
<b>Relay unit</b>	RU-510
<b>Auto ring binding unit</b>	GP-502
<b>Folding and punching unit</b>	FD-503
<b>Stacking unit</b>	LS-506
<b>Booklet making unit</b>	SD-506
<b>Booklet making unit</b>	SD-513
<b>Creasing unit for SD-513</b>	CR-101
<b>Slitting unit for SD-513</b>	TU-503
<b>Spine corner forming unit for SD-513</b>	FD-504
<b>Perfect binding unit</b>	PB-503
<b>Stapling unit</b>	FS-532
<b>Saddle stitch kit for FS-532</b>	SD-510
<b>Punch kit for FS-532</b>	PK-522
<b>Post inserter for FS-532</b>	PI-502
<b>Open Stacker</b>	OT-510
<b>Envelop fuser</b>	EF-105
<b>Mount kit for 3rd party</b>	MK-737
<b>Removable HDD Kit</b>	RH-101 & HD-511
<b>Watkiss PowerSquare™ 224KR</b>	
<b>Plockmatic</b>	SD-500/SD-350
<b>GBC Punch G2</b>	



**Document  
imaging**

by Charles Kieffer Group

**Tél. +352 26 380 1 Fax +352 26 380 380**  
[sales@ck-group.lu](mailto:sales@ck-group.lu)  
 2, rue Léon Laval - Z.A. Am Bann  
 L-3372 Leudelange  
**ck-group.lu**

- All specifications refer to A4-size paper of 80 gsm quality.
- The support and availability of the listed specifications and functionalities varies depending on operating systems, applications and network protocols as well as network and system configurations.
- The stated life expectancy of each consumable is based on specific operating conditions such as page coverage for a particular page size (5% coverage of A4).
- The actual life of each consumable will vary depending on use and other printing variables including page coverage, page size, media type, continuous or intermittent printing, ambient temperature and humidity.
- Some of the product illustrations contain optional accessories.
- Specifications and accessories are based on the information available at the time of printing and are subject to change without notice.
- Konica Minolta does not warrant that any prices or specifications mentioned will be error-free.
- All brand and product names may be registered trademarks or trademarks of their respective holders and are hereby acknowledged.