

Tensioned Cosmopolitan Electrol

The Tensioned Cosmopolitan® Electrol® is a ceiling or wall mounted electric screen. A variety of finishes and veneer options are available.

Features

- In-the-roller motor mounting system
- Smooth Roll Technology to keep your screen perfectly flat
- Tensioning Cable System to prevent warping and ensure even lateral tension
- Decora-style, three-position wall switch
- Standard black backing retains projected brightness on front projection surfaces
- Seamless surfaces
- Optional floating mounting bracket allows screen to be mounted onto wall or ceiling studs and aligned left or right after installation
- Available with built-in low voltage control, or Video Projector Interface (screen trigger) or silent motor or low voltage control with silent motor
- A ceiling trim kit is available that enables this screen to be easily recessed into a drop ceiling
- Standard white powder-coated finish ; available in black upon request
- Slim-Tab, a lower profile, stronger tab design to keep your screen perfectly taut

Optional Accessories:

- Floating Mounting Bracket for Cosmopolitan and Tensioned Cosmopolitan Electrol
 - SCB-100
- Ceiling Trim Kit for Cosmopolitan Electrol
 - Video Projector Interface
 - Key Operated, 110 Volt Switch
 - Locking Switch Cover Plate
- Single Motor Low Voltage Control System
 - Dual Motor Low Voltage Control System
- Radio Frequency Wireless Remote Single Motor LVC
 - Radio Frequency Wireless Remote - Dual Motor LVC
- Infrared Wireless Remote Single Motor LVC
 - Infrared Wireless Remote Dual Motor LVC



16:9 HDTV Format

Viewing Area (H x W)		Nominal Diagonal		Overall Case Length	
in.	cm	in.	cm	in.	cm
45" x 80"	114 x 203	92"	234	98½"	250
52" x 92"	132 x 234	106"	269	111"	282
54" x 96"	137 x 244	110"	279	115½"	293
58" x 104"	147 x 264	119"	302	124"	315
65" x 116"	165 x 295	133"	338	137"	348
78" x 139"	198 x 353	159"	404	162"	411

16:10 Wide Format

Viewing Area (H x W)		Nominal Diagonal		Overall Case Length	
in.	cm	in.	cm	in.	cm
50" x 80"	127 x 203	94"	239	99"	251
57½" x 92"	146 x 234	109"	277	112"	284
60" x 96"	152 x 244	113"	287	116½"	296
69" x 110"	175 x 279	130"	330	131½"	334
72½" x 116"	184 x 295	137"	348	138"	351

4:3 Video Format

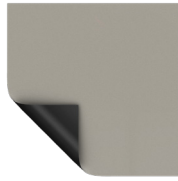
Viewing Area (H x W)		Nominal Diagonal		Overall Case Length	
in.	cm	in.	cm	in.	cm
43" x 57"	109 x 145	72"	183	75"	191
50" x 67"	127 x 170	84"	213	86"	218
60" x 80"	152 x 203	100"	254	100"	254
69" x 92"	175 x 234	120"	305	114"	290
87" x 116"	221 x 295	150"	381	141"	358

Available with the Following Screen Surfaces



Da-Mat

Half Angle: 60° Gain: 1.0



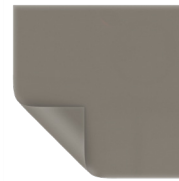
High Contrast Da-Mat

Half Angle: 45° Gain: 0.8



Dual Vision

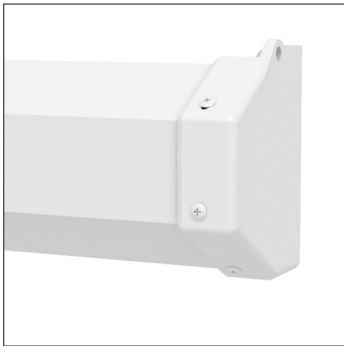
Half Angle: 65° Gain: 0.9



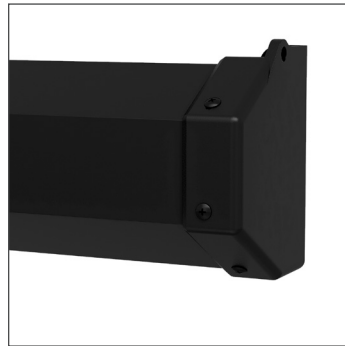
Da-Tex

Half Angle: 30° Gain: 1.3

Product images



White Case (Standard)



Black Case



Document
imaging

by Charles Kieffer Group

Tél. +352 26 380 1 Fax +352 26 380 380
sales@ck-group.lu

2, rue Léon Laval - Z.A. Am Bann
L-3372 Leudelange

ck-documentimaging.lu